

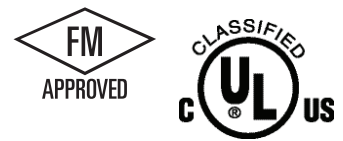
Features

- NFPA 70, NFPA 496, ISA 12.4 standards
- Optional alarm output indicates air lock failure
- Type Y system certified for Class II, Division 1 to Division 2
- Type Z system certified for Class II, Division 2 to nonhazardous
- Enclosure volume up to 50 ft³

Function

Model 1001B is an enclosure pressurization system that operates on a supply of compressed instrument air or inert gas. It regulates and monitors pressure within sealed (protected) enclosure(s), in order to prevent combustible dust accumulation by maintaining a "safe" (1.0") pressure. This process reduces the hazardous (classified) area rating within the enclosure(s), in accordance with the NEC - NFPA 70, Article 500, NFPA 496 and ISA 12.4.

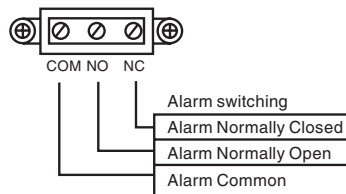
Assembly



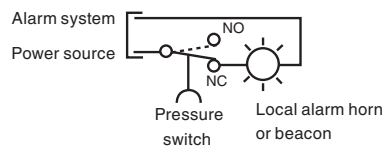
BEBCO EPS®

Connection

Terminal block connections



Wiring configuration

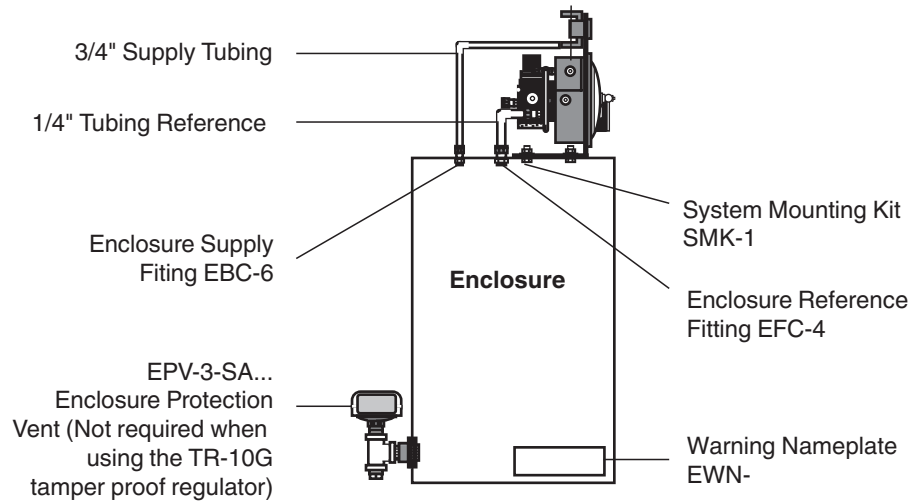


Release date 2013-10-14 14:48 Date of issue 2013-10-14 t156382_eng.xml

General specifications	
Series	1001B
Hazardous environment	gas
Electrical specifications	
Connection	Terminal blocks
Output	
Output I	-WPS-
Output type	Switch contacts
Contact loading	120 VAC @ 15 A
Pneumatic parameters	
Protective gas supply	Instrument grade air or inert gas
Pressure requirement	5 - 120 psi (With EPV-3 vent. Systems installed without vent must be equipped with redundant regulator set to 5 psi max.)
Safe pressure	Setpoint: 1.0" (25.4 mm) Flow rate: 0.1 - 3.5 SCFH (2.8 - 99 l /hr)
Ambient conditions	
Ambient temperature	-29 ... 49 °C (-20.2 ... 120.2 °F)
Mechanical specifications	
Connection type	System supply fitting: 3/8" tube fitting Enclosure supply fitting: 3/8" tube fitting Enclosure reference fitting: 1/4" tube fitting Switch conduit port size: 1/2" FPT
Material	Regulator body: zinc w/enamel finish Regulator handle: polycarbonate Enclosure pressure gauge: alum. w/enamel finish Tube fitting: 316 ss forged body Tubing: 316 ss 1/4" .035 welded System nameplate: silk screened Lexan® & ss Fastener hardware: alum. & stainless steel Mounting plate: 316 14 ga #3 brush ss EXP pressure switch body: anodized cast aluminum Enclosure warning nameplate: silk screened ss
Mass	1001B-LPS-* 3.2 kg (7 lb) 1001B-WPS-* 5.4 kg (12 lb)
International approvals	
FM approval	Type Y LPS: Class II, Division 1, Groups F, G WPS: Class II, Division 1, Groups F, G Type Z LPS: Class II, Division 2, Groups F, G WPS: Class II, Division 2, Groups F, G
UL approval	
cULus	Type Y LPS: Class II, Division 1, Groups F, G WPS: Class II, Division 1, Groups F, G Type Z LPS: Class II, Division 2, Groups F, G WPS: Class II, Division 2, Groups F, G

Release date 2013-10-14 14:48 Date of issue 2013-10-14 t156382_eng.xml

Assembly



Dimensions

Overall system dimensions			
LPS / WPS	LH - left hand	RH - right hand	TM - top mount
Height	7 / 12	7 / 12	7 / 8
Width	8.875 / 8.875	8.875 / 8.875	8.75 / 14.25
Depth	6 / 7.25	6 / 7.25	6 / 7.25
LPS / WPS	BM - bottom mount	WM - wall mount	FM & PM - surface
Height	7 / 8	7 / 12	9 / 14
Width	8.75 / 14.25	8.875 / 8.875	10.875 / 10.875
Depth	6 / 7.25	7.5 / 9.25	4.75 / 6.5
<p>Dimensions in inches. Mounting dimensions available upon request. FM & PM panel cutout dimensions: LPS - 8 h x 9.875 w WPS - 13 h x 9.875 w.</p> <p>Height & Width dimensions reflect mounting plate measurements. Depth dimension reflects overall measurement of system, including components.</p>			

Release date 2013-10-14 14:48 Date of issue 2013-10-14 t156382_eng.xml

System Accessories	
Connection fittings	
Part	Description
EFC-4	1/4" flush connector
EFC-6	3/8" flush connector
EBC-6	3/8" bulkhead connector
EPC-13	1" pipe connector
Additional items	
Part	Description
ILF-6	3/8" In-Line Filter Kit
SMK-1	Surface Mounting Kit (-LH-, -RH-, -TM-, -BM-, -WM- models)
SMK-4	Surface Mounting Kit (-FM-, -PM- models)
SMK-6	Surface Mounting Kit (-FM-, -PM- models)
EPSK-2	Explosion Proof Switch Kit (Class II areas)
EPSK-2A	Explosion Proof Switch Kit (Class II areas)
GPSK-2	General-purpose Switch Kit (Class II areas)
RAH	Remote Alarm Horn
RAB-1	Div. 1 Remote Alarm Beacon
RAB-2	Div. 2 Remote Alarm Beacon
LCK	"L" style conduit fitting kit
TCK	"T" style conduit fitting kit
Hex key regulator handles	
Part	Description
TR-10G	Tamper proof regulator with gauge
Warning nameplates	
Part	Description
EWN-2	Class II enclosure warning
ETW	Enclosure temperature warning
Installation & Operation Manual	
Part	Description
DOCT-1353	Installation and Operation Manual

Release date 2013-10-14 14:48 Date of issue 2013-10-14 t156382_eng.xml

Type code/model number

1 0 0 1 B - L P S - C I I - Y Z - L H - V X - 2 4 V D C

1001B series model number

System style
 LPS less pressure switch
 WPS with pressure switch

Area classification
 CII Class II area

System type
 YZ Div 1 to Div 2; Div 2 to nonhazardous

Mounting configuration
 LH vertical mount left
 RH vertical mount right
 TM horizontal mount top
 BM horizontal mount bottom
 WM wall mount
 FM frame mount
 PM panel mount (LPS style only)

Cooler indicator gauge
 VX vortex

*Voltage
 24 VDC
 240 VAC
 120 VAC

* only for WPS option